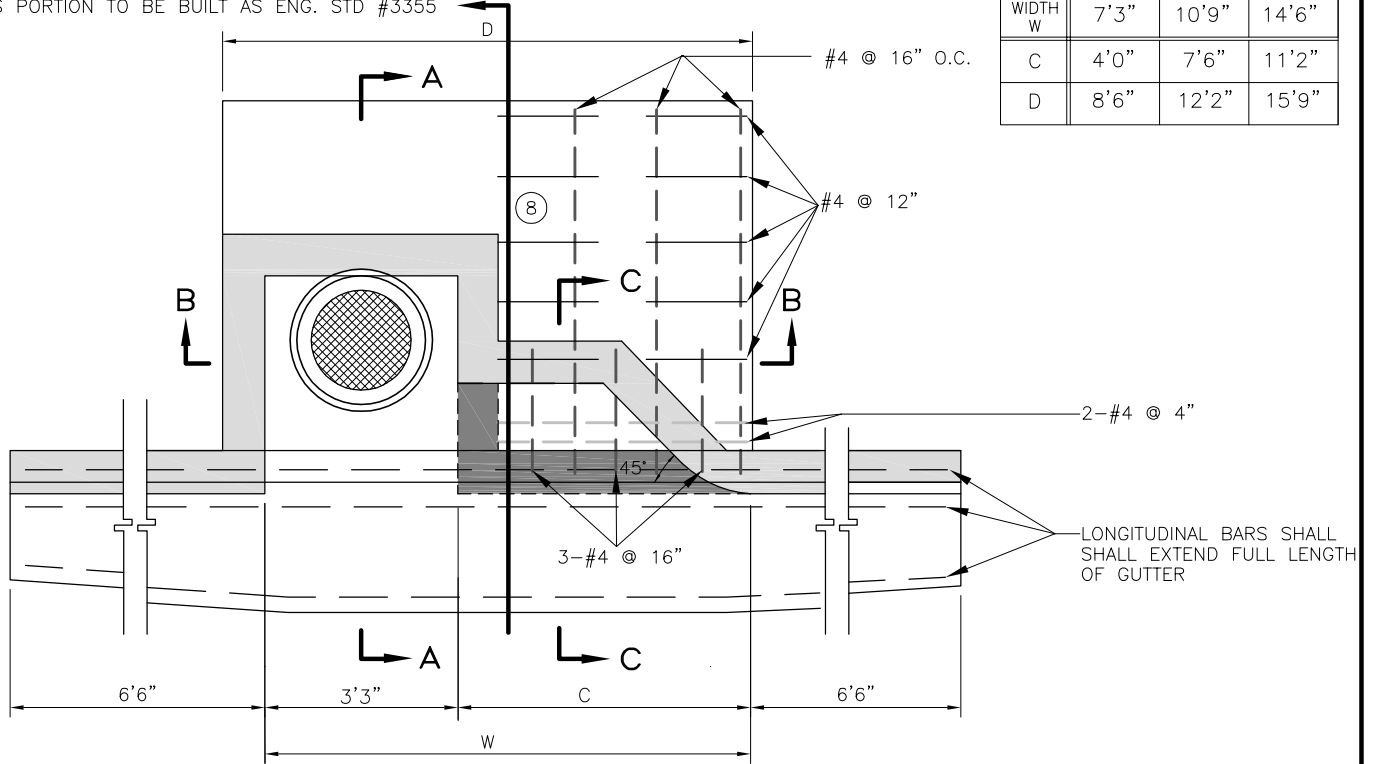
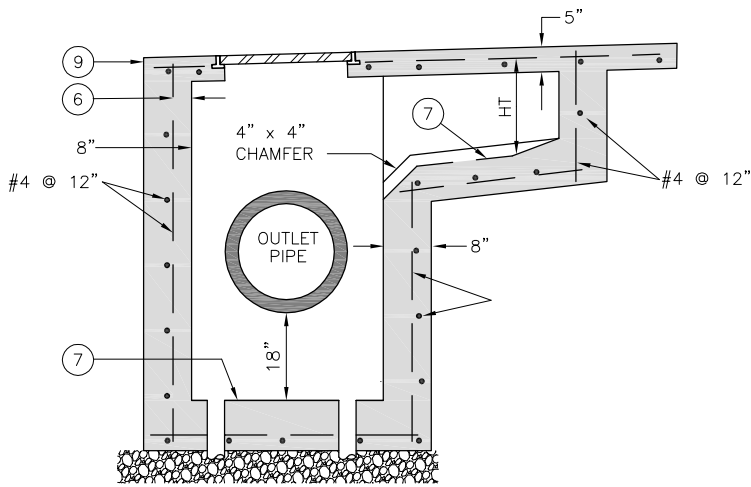


THIS PORTION TO BE BUILT AS ENG. STD #3355

WIDTH W	7'3"	10'9"	14'6"
C	4'0"	7'6"	11'2"
D	8'6"	12'2"	15'9"

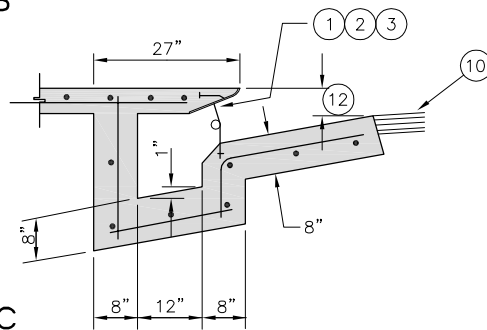


PLAN



HEIGHT "HT" EQUALS 18" FOR A 6" CURB
& 20" FOR A 8" CURB

SECTION B-B



SECTION C-C

GENERAL NOTE:

- A. SEE ENGINEERING STANDARD #3350 AND #3355 FOR NOTES AND SECTION A-A.
- B. INSTALL CATCH BASIN PLACARD PER SECTION 78 OF THE STANDARD SPECIFICATIONS.

REVISIONS	BY	APP	DATE
<i>Simplify drawing</i>	SR	JDW	9-09
<i>Revise re-bar specs</i>	JDL	WAP	11-98
<i>Added General Note "B"</i>	MH	BL	11-05
STANDARD CURRENT AS OF: January 2010			



CATCH BASIN
EXTENDED SIDE OPENING

3360