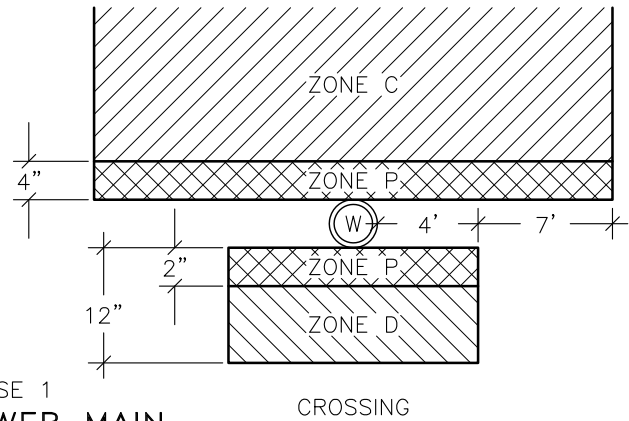
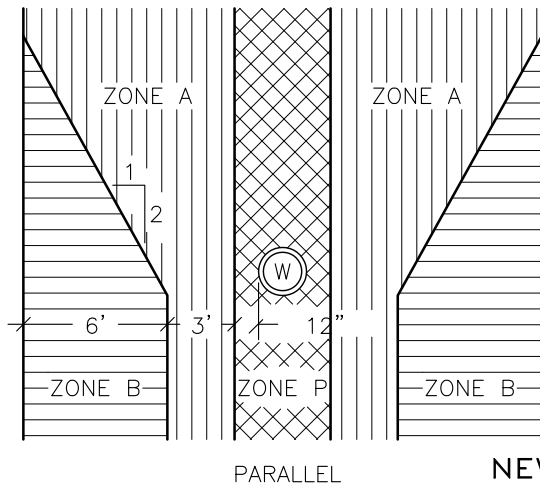


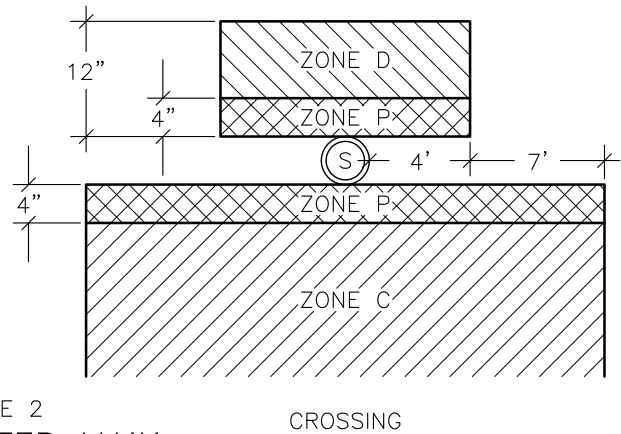
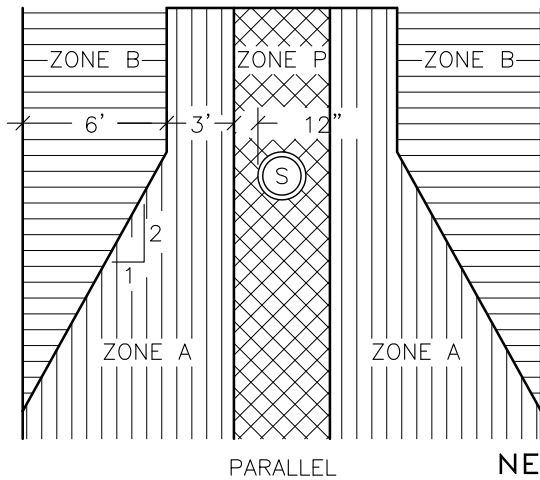
# CRITERIA FOR THE SEPARATION OF WATER MAINS AND SANITARY SEWERS

*Refer to Engineering Standard #6110 for Separation Criteria Text*



CASE 1  
NEW SEWER MAIN  
Figure 1

ZONE P is a prohibited zone,  
Section 64630(e)(2) California  
Administrative Code, Title 22.



CASE 2  
NEW WATER MAIN  
Figure 2

## NOTES AND DEFINITIONS

- COMPRESSION JOINT – A push-on joint that seals by means of the compression of a rubber ring or gasket between the pipe and a bell or coupling.
- DIMENSIONS are from the outside of water main to outside of sewer line or manhole.
- FUSED JOINT – The joining of sections of pipe using thermal or chemical bonding processes.
- GROUND WATER – Subsurface water found in the saturation zone.
- HEALTH AGENCY – The State Department of Health Services. For those water systems supplying less than 200 service connections, the local health officer shall act for the Department of Health Services.
- HOUSE LATERAL – A sewer pipe connecting the building drain and the main sewer line.
- LOW HEAD WATER MAIN – Any water main which has a pressure of 5 psi or less at any time at any point in the main.
- MECHANICAL JOINT – Bolted joint
- RATED WORKING WATER PRESSURE or PRESSURE CLASS – A pipe classification system based upon internal working pressure of the fluid in the pipe, type of pipe material, and the thickness of the pipe wall.
- SLEEVE – A protective tube of steel with a wall thickness of not less than 1/4" into which a pipe is inserted.
- WATER SUPPLIER – Any person who owns or operates a public water system.

REVISIONS	BY	APP	DATE
<i>New border</i>	<i>JDL</i>	<i>WAP</i>	<i>1-98</i>
<i>Reference to Std. #6110</i>	<i>JDL</i>	<i>JDW</i>	<i>1-03</i>
<i>Revised Separation Note</i>	<i>MH</i>	<i>BL</i>	<i>8-07</i>
STANDARD CURRENT AS OF:		January 2010	



## WATER – SEWER SEPARATION CRITERIA DETAILS